

**General Purpose Brass Ball Valves**



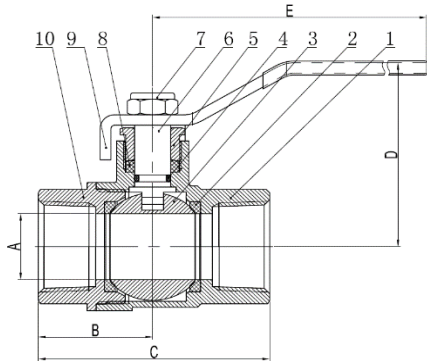
1/4" - 1" Handle



1-1/4" - 2" Handle



2-1/2" - 4" Handle



1/4" - 2" UL, CSA/CUS, CE and FM Approved  
2-1/2" - 4" UL CSA/CUS and CE Approved  
600 PSI CWP 150 WSP Service  
Suitable for Vacuum Service Up to 29" Hg Full Port  
Temperature Range : -20° F to 365° F  
Construction: Forged Brass Body  
Blow Out Proof Brass Stem  
Chrome-Plated Brass Ball  
PTFE Ball Seat and Packing Nut  
Chrome-Plated Steel Handle w/Vinyl Grip  
FPT Connection  
ISO Registered Factory  
MSS SP-110 Approved  
RoHs Compliant

Part No.	NPT	A (In)	B (In)	C (In)	D (In)	E (In)	Cv	Wt. (lbs.)	Carton Qty
FBB-25	1/4"	0.39	0.87	1.73	1.68	3.46	8.23	0.32	80
FBB-38	3/8"	0.39	0.87	1.73	1.68	3.46	8.23	0.31	80
FBB-50	1/2"	0.59	1.12	2.24	1.81	3.46	18.55	0.44	80
FBB-75	3/4"	0.75	1.24	2.52	2.09	4.29	29.76	0.75	48
FBB-100	1"	0.98	1.48	2.97	2.25	4.29	51.55	1.10	36
FBB-125	1 1/4"	1.26	1.73	3.44	2.52	5.63	84.42	1.70	24
FBB-150	1 1/2"	1.57	1.95	3.88	2.74	5.63	131.93	2.30	16
FBB-200	2"	1.94	2.17	4.30	3.03	5.63	200.34	3.40	12
FBB-250	2 1/2"	2.52	2.78	5.53	4.25	7.76	338.43	7.40	6
FBB-300	3	2.89	3.07	6.14	4.58	8.19	445.44	9.90	4
FBB-400	4	3.84	3.88	7.79	5.49	9.25	783.88	19.20	2

Part No.	Description	Material
1	Ball Valve Body	Brass C37700
2	Ball Seat	PTFE
3	Ball	Brass C37700/Chrome Plated (1/4" - 1")
	Ball	SS304 (1-1/4" - 4")
4	O-Ring	NBR
5	Packing Nut	Brass C37700
6	Stem	Brass C37700 (1/4" - 2 1/2")
	Stem	SS304 (3" - 4")
7	Handle Nut	Chrome-Plated Steel
8	Ball Packing	PTFE
9	Handle	Chrome-Plated Steel
10	Ball Valve Cap	Brass C37700



WARNING: This product can expose you to chemicals, including lead, which is known to the State of California to cause cancer and reproductive harm. For more information go to [www.P65Warnings.CA.gov](http://www.P65Warnings.CA.gov)

Drawing Date: 5/2014  
Rev. Level-Date: R6 10/2020

Pressure Temperature Curve  
CCB FBB FPC LBV MBB MPC MLBV and F600 Series

